













## METAL COLOURS

 GREY RAL 7000 .01	 GREEN RAL 6011 .02
 BLUE RAL 5012 .04	 GREY RAL 7035 .08
 GREY WHITE RAL 9002 .1F	 RUBY RED RAL 3003 .1G
 GENTIAN BLUE RAL 5010 .34	 PURE WHITE RAL 9010 .35
 ANTHRACITE GREY RAL 7016 .39	 BLUE CAPRI RAL 5019 .48



● ART. M 63 A100 C0 10 CN 04  
H = 1000 mm – 8 drawers

## PLASTIC COLOURS

 DARK GREY .M0	 MEDITERRANEAN BLUE .M1	 SKY BLUE .M2	 GLAMOUR RED .M3
 RED CARPET .M4	 JUICE ORANGE .M5	 SUNNY YELLOW .M6	 FOREST GREEN .M7



SEPARATION MATERIAL SEE PAGE 259/379



CONFIGURE YOUR CABINET FROM PAGE 247

## KEY



SHELF/  
DRAWER  
CAPACITY



SHELF/  
DRAWER  
EXTENSION



CABINET  
CLOSURE



ALL INDICATED LOAD CAPACITY VALUES ARE NET AND REFER TO EVENLY DISTRIBUTED WEIGHTS

H 700 mm



H 700 mm



ART.				
M 63 A070 C0 10 49 04		50-75-100	100-96-92%	key
M 63 A070 C0 10 50 04		200	100%	key
M 63 A070 E2 10 49 04		50-75-100	100-96-92%	code
M 63 A070 E2 10 50 04		200	100%	code

ART.				
M 63 A070 C0 10 31 04		50-75-100	100-96-92%	key
M 63 A070 C0 10 51 04		200	100%	key
M 63 A070 E2 10 31 04		50-75-100	100-96-92%	code
M 63 A070 E2 10 51 04		200	100%	code

H 850 mm



H 850 mm



ART.				
M 63 A085 C0 10 AA 04		50-75-100	100-96-92%	key
M 63 A085 C0 10 AB 04		200	100%	key
M 63 A085 E2 10 AA 04		50-75-100	100-96-92%	code
M 63 A085 E2 10 AB 04		200	100%	code

ART.				
M 63 A085 C0 10 95 04		50-75-100	100-96-92%	key
M 63 A085 C0 10 AU 04		200	100%	key
M 63 A085 E2 10 95 04		50-75-100	100-96-92%	code
M 63 A085 E2 10 AU 04		200	100%	code

H 1000 mm



ART.					
M 63 A100 C0 10 CN 04		50-75-100	100-96-92%	key	
M 63 A100 C0 10 CP 04		200	100%	key	
M 63 A100 E2 10 CN 04		50-75-100	100-96-92%	code	
M 63 A100 E2 10 CP 04		200	100%	code	

H 1000 mm



ART.					
M 63 A100 C5 10 EC 04		50-75-100	100-96-92%	-	
M 63 A100 C5 10 ED 04		200	100%	-	

H 1023 mm



door 900 mm depth 751 mm

ART.					
M 63 A100 C0 10 BU 04		50-75-100	100-96-92%	key	
M 63 A100 C0 10 BV 04		200	100%	key	
M 63 A100 P5 10 BU 04		50-75-100	100-96-92%	code	
M 63 A100 P5 10 BV 04		200	100%	code	

H 1023 mm



door 900 mm depth 751 mm

ART.					
M 63 A100 C0 10 CA 04		50-75-100	100-96-92%	key	
M 63 A100 C0 10 CB 04		200	100%	key	
M 63 A100 P5 10 CA 04		50-75-100	100-96-92%	code	
M 63 A100 P5 10 CB 04		200	100%	code	

H 1500 mm



H 1500 mm



door 1400 mm

depth 751 mm

ART.		kg			
M 63 A150 C0 10 MB 04		50-75-100	100-96-92%	key	
M 63 A150 C0 10 MC 04		200	100%	key	
M 63 A150 E2 10 MB 04		50-75-100	100-96-92%	code	
M 63 A150 E2 10 MC 04		200	100%	code	

ART.		kg			
M 63 A150 C0 10 LC 04		50-75-100	100-96-92%	key	
M 63 A150 C0 10 LD 04		200	100%	key	
M 63 A150 P5 10 LC 04		50-75-100	100-96-92%	code	
M 63 A150 P5 10 LD 04		200	100%	code	



# MASTER

## 1190x726 mm

H 2000 mm



H 2000 mm



ART.			
M 63 A200 C5 10 FU 04	50-75-100	100-96-92%	-
M 63 A200 C5 10 FV 04	200	100%	-

ART.			
M 63 A200 C0 10 FS 04	50-75-100	100-96-92%	key
M 63 A200 C0 10 FT 04	200	100%	key
M 63 A200 E2 10 FS 04	50-75-100	100-96-92%	code
M 63 A200 E2 10 FT 04	200	100%	code



H 2000 mm



adjustable shelf  
adjustable shelf  
adjustable shelf  
7 drawers  
75  
75  
100  
150  
150  
150  
200

door 900 mm

ART.		kg			
M 63 A200 C0 10 FY 04		50-75-100	100-96-92%		key
M 63 A200 C0 10 FZ 04		200	100%		key
M 63 A200 T2 10 FY 04		50-75-100	100-96-92%		code
M 63 A200 T2 10 FZ 04		200	100%		code

H 2000 mm



adjustable shelf  
adjustable shelf  
adjustable shelf  
3 drawers  
100  
100  
150  
retractable shelf  
retractable shelf

door 1900 mm

ART.		kg			
M 63 A200 C0 10 FW 04		50-75-100	100-96-92%		key
M 63 A200 C0 10 FX 04		200	100%		key
M 63 A200 P5 10 FW 04		50-75-100	100-96-92%		code
M 63 A200 P5 10 FX 04		200	100%		code



H 1113 mm



ART.				
<b>M 63 R085 S0 10 88 04</b>	50-75-100	100-96-92%	key	
<b>M 63 R085 P2 10 88 04</b>	50-75-100	100-96-92%	code	

Cabinet load capacity 600 kg – Cabinet height without wheels mm 913

H 1113 mm



ART.				
<b>M 63 R085 S0 10 95 04</b>	50-75-100	100-96-92%	key	
<b>M 63 R085 P2 10 95 04</b>	50-75-100	100-96-92%	code	

Cabinet load capacity 600 kg – Cabinet height without wheels mm 913

H 1263 mm



ART.				
<b>M 63 R100 S0 10 DY 04</b>	50-75-100	100-96-92%	key	
<b>M 63 R100 P2 10 DY 04</b>	50-75-100	100-96-92%	code	

Cabinet load capacity 600 kg – Cabinet height without wheels mm 1063

H 1263 mm



ART.				
<b>M 63 R100 S0 10 CN 04</b>	50-75-100	100-96-92%	key	
<b>M 63 R100 P2 10 CN 04</b>	50-75-100	100-96-92%	code	

Cabinet load capacity 600 kg – Cabinet height without wheels mm 1063



2 elastic rubber swivel wheels with brake Ø 160 mm  
2 elastic rubber fixed wheels Ø 160 mm



ART. M 63 R085 P2 16 PM 1G

SEE PAGE 291



## CONFIGURE YOUR CABINET

CHOOSE  
a height

CHOOSE  
a closure

CHOOSE  
a colour

<b>M63</b>	<b>A040</b>	<b>C5</b>	<b>10 00</b>	<b>01</b>
------------	-------------	-----------	--------------	-----------

### EMPTY CABINET



Cabinet load capacity 3100 kg

M63	HEIGHT		CLOSURE		10 00	COLOUR	
	Code	Height (working dim.)	Icon	Description		Code	Description
	A070	700 mm		X0 with no bar and no lock		01	RAL 7000
	A085	850 mm		C5* no lock		02	RAL 6011
	A100	1000 mm	Key	C0* KEY cylinder lock		1G	RAL 3003
	A132	1325 mm	Key	C1* KEY cylinder lock		1F	RAL 9002
	A150	1500 mm	Key	C2* KEY cylinder lock		48	RAL 5019
	A200	2000 mm	Code	E2* CODE numerical code		39	RAL 7016
			Code	T2* CODE numerical code		04	RAL 5012
						08	RAL 7035
						35	RAL 9010
						34	RAL 5010

\*COMPLETE WITH VERTEBRATE BAR



LOCKS SEE PAGE 31

### EMPTY CABINET PRE-SET FOR WHEELS



WHEELS  
SEE PAGE 33

M63	HEIGHT		CLOSURE		10 00	COLOUR	
	Code	Height (working dim.)	Icon	Description		Code	Description
	R085	913 mm	Key	S0 KEY cylinder lock		01	RAL 7000
	R100	1063 mm	Key	S1 KEY cylinder lock		02	RAL 6011
			Key	S2 KEY cylinder lock		1G	RAL 3003
			Code	P2 CODE numerical code		1F	RAL 9002
			Code	A1 CODE numerical code		48	RAL 5019
						39	RAL 7016
						04	RAL 5012
						08	RAL 7035
						35	RAL 9010
						34	RAL 5010

COMPLETE WITH VERTEBRATE BAR, 4-EDGE SHELF WITH PVC TOP, PAIR OF HANDLES, PAIR OF PLATES FOOTPRINT  
Overall dim. mm 1264x752



### FLEXIBLE EXTENSION DRAWERS

ART. WHIT Dark Grey plastic kit	ART. NO plastic kit*	Usable dim. mm	Front H mm	kg	
<b>M 63 C075 01 10 0F</b> __	<b>M 63 C075 01 00 0F</b> __	1076x600x56 H	75	50 - 75 - 100	100% - 96% - 92%
<b>M 63 C100 01 10 0F</b> __	<b>M 63 C100 01 00 0F</b> __	1076x600x81 H	100	50 - 75 - 100	100% - 96% - 92%
<b>M 63 C125 01 10 0F</b> __	<b>M 63 C125 01 00 0F</b> __	1076x600x106 H	125	50 - 75 - 100	100% - 96% - 92%
<b>M 63 C150 01 10 0F</b> __	<b>M 63 C150 01 00 0F</b> __	1076x600x131 H	150	50 - 75 - 100	100% - 96% - 92%
<b>M 63 C200 01 10 0F</b> __	<b>M 63 C200 01 00 0F</b> __	1076x600x181 H	200	50 - 75 - 100	100% - 96% - 92%
<b>M 63 C250 01 10 0F</b> __	<b>M 63 C250 01 00 0F</b> __	1076x600x231 H	250	50 - 75 - 100	100% - 96% - 92%
<b>M 63 C300 01 10 0F</b> __	<b>M 63 C300 01 00 0F</b> __	1076x600x281 H	300	50 - 75 - 100	100% - 96% - 92%

\*MATCH THE ITEM NUMBER TO ONE OF THE PLASTIC KITS AVAILABLE IN THE TABLE BELOW



### TELESCOPIC EXTRACTION DRAWERS

ART. WHIT Dark Grey plastic kit	ART. NO plastic kit*	Usable dim. mm	Front H mm	kg	
<b>M 63 C075 01 10 0T</b> __	<b>M 63 C075 01 00 0T</b> __	1076x600x56 H	75	200	100%
<b>M 63 C100 01 10 0T</b> __	<b>M 63 C100 01 00 0T</b> __	1076x600x81 H	100	200	100%
<b>M 63 C125 01 10 0T</b> __	<b>M 63 C125 01 00 0T</b> __	1076x600x106 H	125	200	100%
<b>M 63 C150 01 10 0T</b> __	<b>M 63 C150 01 00 0T</b> __	1076x600x131 H	150	200	100%
<b>M 63 C200 01 10 0T</b> __	<b>M 63 C200 01 00 0T</b> __	1076x600x181 H	200	200	100%
<b>M 63 C250 01 10 0T</b> __	<b>M 63 C250 01 00 0T</b> __	1076x600x231 H	250	200	100%
<b>M 63 C300 01 10 0T</b> __	<b>M 63 C300 01 00 0T</b> __	1076x600x281 H	300	200	100%

\*MATCH THE ITEM NUMBER TO ONE OF THE PLASTIC KITS AVAILABLE IN THE TABLE BELOW

## PLASTIC KIT FOR DRAWERS AND RETRACTABLE SHELVES



PLASTIC COLOUR	ART.
MEDITERRANEAN BLUE	<b>M 60 PLS1 00 00 00 M1</b>
SKY BLUE	<b>M 60 PLS1 00 00 00 M2</b>
GLAMOUR RED	<b>M 60 PLS1 00 00 00 M3</b>
RED CARPET	<b>M 60 PLS1 00 00 00 M4</b>
JUICY ORANGE	<b>M 60 PLS1 00 00 00 M5</b>
SUNNY YELLOW	<b>M 60 PLS1 00 00 00 M6</b>
FOREST GREEN	<b>M 60 PLS1 00 00 00 M7</b>



## FLEXIBLE EXTENSIBLE SHELVES

ART. WHIT Dark Grey plastic kit	ART. NO plastic kit*	Usable dim. mm	Front H mm	kg	
M 63 C057 0110 OF _ _	M 63 C057 01 00 OF _ _	1076x600	70	50 - 75 - 100	100% - 96% - 92%

\*MATCH THE ITEM NUMBER TO ONE OF THE PLASTIC KITS AVAILABLE IN THE TABLE BELOW



## TELESCOPIC EXTENSIBLE SHELVES

ART. WHIT Dark Grey plastic kit	ART. NO plastic kit*	Usable dim. mm	Front H mm	kg	
M 63 C057 0110 OT _ _	M 63 C057 01 00 OT _ _	1076x600	70	200	100%

\*MATCH THE ITEM NUMBER TO ONE OF THE PLASTIC KITS AVAILABLE IN THE TABLE BELOW



## ADJUSTABLE SHELF

ART.	Usable dim. mm	Total H mm	kg
M 63 PR25 00 00 01 _ _	1133x631	60	150

CAN BE FITTED FRONTALLY TO THE VERTEBRATE BAR

## PLASTIC KIT FOR DRAWERS AND RETRACTABLE SHELVES



PLASTIC COLOURS	ART.
MEDITERRANEAN BLUE	M 60 PLS1 00 00 00 M1
SKY BLUE	M 60 PLS1 00 00 00 M2
GLAMOUR RED	M 60 PLS1 00 00 00 M3
RED CARPET	M 60 PLS1 00 00 00 M4
JUICY ORANGE	M 60 PLS1 00 00 00 M5
SUNNY YELLOW	M 60 PLS1 00 00 00 M6
FOREST GREEN	M 60 PLS1 00 00 00 M7



ART. M 63 A085 E2 10 PK 1G

SEE PAGE 291

## HINGED DOORS WITH CYLINDER

### PAIR OF FULL HEIGHT HINGED DOORS



CABINET HEIGHT mm	TYPE OF CLOSURE	ART. WHIT Dark Grey plastic kit	ART. NO plastic kit*
850	<b>C0</b> KEY cylinder lock	M 60 P075 C0 10 10 _ _	M 60 P075 C0 00 10 _ _
	<b>C1</b> KEY cylinder lock	M 60 P075 C1 10 10 _ _	M 60 P075 C1 00 10 _ _
	<b>C2</b> KEY cylinder lock	M 60 P075 C2 10 10 _ _	M 60 P075 C2 00 10 _ _
1000	<b>C0</b> KEY cylinder lock	M 60 P090 C0 10 10 _ _	M 60 P090 C0 00 10 _ _
	<b>C1</b> KEY cylinder lock	M 60 P090 C1 10 10 _ _	M 60 P090 C1 00 10 _ _
	<b>C2</b> KEY cylinder lock	M 60 P090 C2 10 10 _ _	M 60 P090 C2 00 10 _ _
1500	<b>C0</b> KEY cylinder lock	M 60 P140 C0 10 10 _ _	M 60 P140 C0 00 10 _ _
	<b>C1</b> KEY cylinder lock	M 60 P140 C1 10 10 _ _	M 60 P140 C1 00 10 _ _
	<b>C2</b> KEY cylinder lock	M 60 P140 C2 10 10 _ _	M 60 P140 C2 00 10 _ _
2000	<b>C0</b> KEY cylinder lock	M 60 P190 C0 10 10 _ _	M 60 P190 C0 00 10 _ _
	<b>C1</b> KEY cylinder lock	M 60 P190 C1 10 10 _ _	M 60 P190 C1 00 10 _ _
	<b>C2</b> KEY cylinder lock	M 60 P190 C2 10 10 _ _	M 60 P190 C2 00 10 _ _



LOCKS  
SEE PAGE 31

\*MATCH THE ITEM NUMBER TO ONE OF THE PLASTIC KITS AVAILABLE IN THE TABLE ON THE RIGHT

PAIR OF DOORS MUST BE ASSOCIATED WITH CABINETS WITH **C5** CLOSURE (WITHOUT LOCK) OR **X0** CLOSURE (WITHOUT VERTEBRATE BAR AND WITHOUT LOCK)

### PAIR OF PARTIAL HEIGHT HINGED DOORS



DOOR FOOTPRINT H mm	TYPE OF CLOSURE	ART. WHIT Dark Grey plastic kit	ART. NO plastic kit*
775	<b>C0</b> KEY cylinder lock	M 60 P077 C0 10 11 _ _	M 60 P077 C0 00 11 _ _
	<b>C1</b> KEY cylinder lock	M 60 P077 C1 10 11 _ _	M 60 P077 C1 00 11 _ _
	<b>C2</b> KEY cylinder lock	M 60 P077 C2 10 11 _ _	M 60 P077 C2 00 11 _ _

\*MATCH THE ITEM NUMBER TO ONE OF THE PLASTIC KITS AVAILABLE IN THE TABLE ON THE RIGHT



## HINGED DOORS WITH NUMERICAL CODE

### PAIR OF FULL HEIGHT HINGED DOORS



CABINET HEIGHT mm	TYPE OF CLOSURE	ART. WHIT Dark Grey plastic kit	ART. NO plastic kit*
850	<b>P5</b> CODE numerical code	M 60 P075 P5 10 10 _ _	M 60 P075 P5 00 10 _ _
1000	<b>P5</b> CODE numerical code	M 60 P090 P5 10 10 _ _	M 60 P090 P5 00 10 _ _
1500	<b>P5</b> CODE numerical code	M 60 P140 P5 10 10 _ _	M 60 P140 P5 00 10 _ _
2000	<b>P5</b> CODE numerical code	M 60 P190 P5 10 10 _ _	M 60 P190 P5 00 10 _ _

\*MATCH THE ITEM NUMBER TO ONE OF THE PLASTIC KITS AVAILABLE IN THE TABLE BELOW



PAIR OF DOORS MUST BE ASSOCIATED WITH CABINETS WITH **C5** CLOSURE (WITHOUT LOCK) OR **X0** CLOSURE (WITHOUT VERTEBRATE BAR AND WITHOUT LOCK)

### PAIR OF PARTIAL HEIGHT HINGED DOORS



DOOR FOOTPRINT H mm	TYPE OF CLOSURE	ART. WHIT Dark Grey plastic kit	ART. NO plastic kit*
775	<b>A4</b> handle without keypad	M 60 P077 A4 10 11 _ _	M 60 P077 A4 00 11 _ _

\*MATCH THE ITEM NUMBER TO ONE OF THE PLASTIC KITS AVAILABLE IN THE TABLE BELOW



PAIR OF DOORS MUST BE ASSOCIATED WITH CABINETS WITH THE FOLLOWING CLOSURES:  
USE THE **T2** LOCK FOR THE CABINET WITHOUT WHEELS  
USE THE **A1** LOCK FOR THE CABINET WITH WHEELS



LOCKS  
SEE PAGE 31



### REMOTE CONTROL

ART.	
M 00 VRCO 00 00 00 00	Receiver module with remote control
M 00 VRCO 00 00 01 00	Additional remote control

## PLASTIC PARTS KIT FOR HINGED DOORS



PLASTIC COLOURS	ART. KEY	ART. CODE
MEDITERRANEAN BLUE	M 00 PLS0 00 00 30 M1	M 00 PLS0 00 00 31 M1
SKY BLUE	M 00 PLS0 00 00 30 M2	M 00 PLS0 00 00 31 M2
GLAMOUR RED	M 00 PLS0 00 00 30 M3	M 00 PLS0 00 00 31 M3
RED CARPET	M 00 PLS0 00 00 30 M4	M 00 PLS0 00 00 31 M4
JUICY ORANGE	M 00 PLS0 00 00 30 M5	M 00 PLS0 00 00 31 M5
SUNNY YELLOW	M 00 PLS0 00 00 30 M6	M 00 PLS0 00 00 31 M6
FOREST GREEN	M 00 PLS0 00 00 30 M7	M 00 PLS0 00 00 31 M7



### 3-EDGE TOP SHELF

ART.	dim. mm	
<b>M 63 T023 AG 00 31 07</b>	1190x726x23 H	

Pvc coated shelf for SINGLE CABINET. Black colour



### 4-EDGE TOP SHELF

ART.	dim. mm	
<b>M 63 T023 AG 00 41 07</b>	1190x726x23 H	

Pvc coated shelf for SINGLE CABINET. Black colour



### ART. M 00 T023 AG 00 FO 00

CABINET TOP SHELF DRILLING FOR 4-EDGE SHELF FIXING



### MULTIPLEX TOP SHELF

ART.	dim. mm	
<b>M 63 T040 MU 00 01 00</b>	1190x726x40 H	

For SINGLE CABINET



### MDF TOP SHELF DIM. 1190x726x32 mm H

ART.	finishes	for cabinet	
<b>M 63 T030 MD GM 2107</b>	1 side profile	RH or LH final	

MDF shelf with oil-proof top rubber coating. Black colour



### MDF TOP SHELF DIM. 1190x726x32 mm H

ART.	finishes	for cabinet	
<b>M 63 T030 MD GM 1107</b>	-	central	

MDF shelf with oil-proof top rubber coating. Black colour



### MDF TOP SHELF DIM. 1190x726x32 mm H

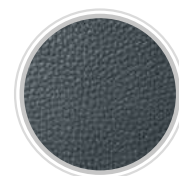
ART.	finishes	for cabinet	
<b>M 63 T030 MD GM 0107</b>	2 side profiles	single	

MDF shelf with oil-proof top rubber coating. Black colour



### ART. M 00 T030 MD 00 FO 00

CABINET TOP SHELF DRILLING FOR MDF AND MULTIPLEX SHELF FIXING INCLUDING FIXING SCREWS



OIL-PROOF  
RUBBER  
FINISHING



MDF SHELF  
APPLICATION



### MULTIPLEX TOP SHELF FOR CABINET WITH WHEELS

Available on request



HEIGHT RAISING SOCKET 50 mm



ART.		dim. mm	
M 63 Z050 00 00 00 _ _		1188x725x50 H	

HEIGHT RAISING SOCKET 100 mm



ART.		dim. mm	
M 63 Z100 00 00 00 _ _		1188x725x100 H	

PLINTHS FOR FORK LIFT TRUCK - Black colour RAL 9005



ART.		dim. mm	
M 03 Z060 20 00 00 07	pair of sockets	200x722x60 H	
M 60 Z060 21 00 00 07	facing piece	1184x46x55 H	



ART.		dim. mm	
M 03 Z100 20 00 00 07	pair of sockets	200x722x100 H	
M 60 Z100 21 00 00 07	facing piece	1184x46x95 H	





## ELASTIC RUBBER FIXED WHEEL

ART.	Ø mm	cabinet capacity kg	C mm
C RG BCE15 125	125	340	155
C RG BCE15 160	160	600	200



## ELASTIC RUBBER SWIVEL WHEEL WITH BRAKE

ART.	Ø mm	cabinet capacity kg	C mm
C RG DCE15 125	125	340	155
C RG DCE15 160	160	600	200



## NYLON FIXED WHEEL

ART.	Ø mm	cabinet capacity kg	C mm
C RN BAD11 125	125	340	155
C RN BAD04 160	160	600	200



## NYLON SWIVEL WHEEL WITH BRAKE

ART.	Ø mm	cabinet capacity kg	C mm
C RN DAD11 125	125	360	155
C RN DAD04 160	160	600	200



# SPARE PARTS - FIXING

 OTHER WHEELS  
SEE PAGE 33

### SPARE LOCK

**ART. M 00 CSRO 8800 00 00**  
Spare lock with two keys



### SPARE KEY

**ART. M 00 CF00 0000 00 00**  
Always specify the number indicated in the cylinder lock where you wish to replace the key



### MASTER KEY

**ART. M 00 PF.. 0000 00 00**

Available in 23 series, numbered from F 01 to F 23.

Master key series F 01  
Master key series F 02  
Master key series F ..

ART. M 00 PF01 00 00 00 00  
ART. M 00 PF02 00 00 00 00  
ART. M 00 PF.. 00 00 00 00

### CABINET-TO-CABINET FIXING SET

**ART. M 00 FISO 00 00 00 99**  
Cabinet-to-cabinet fixing set with 4 screws complete with M8 nuts

**ART. M 00 SVRO 00 00 00 99**  
Drilling and hardware for fixing two overlapping cabinets

### FLOOR FIXING SET



**ART. F AG 9200 00 99**  
Pair of zinc-plated brackets for cabinet floor fixing

**ART. F AG 9204 00 99**  
2 "HILTI" plugs for concrete floors ≥ to classes C20/25  
Recommended traction of the plug: 2.9 kN  
Plug diameter: Ø 6 mm



### SPARE HANDLE

**ART. M 00 PLSO 0000 22 M0**  
Replacement door handle available in Dark Grey.



OTHER COLOURS  
ON REQUEST



THE CABINETS MUST BE FIXED TO A FLOOR OR WALL. IF OVERLAPPING, THEY MUST BE FIXED EXCLUSIVELY TO WALLS AND THEIR CAPACITY DIVIDED BY TWO



# MASTER

1190x726 mm

## Born To Be Extreme

EMPTY CABINET without vertebrate bar and without lock



H 700 mm  
Useful H 600 mm



H 850 mm  
Useful H 750 mm



H 1000 mm  
Useful H 900 mm



M 63 A070 X0 10 00 \_ \_ M 63 A085 X0 10 00 \_ \_ M 63 A100 X0 10 00 \_ \_

### VERTEBRATE BAR



The vertebrate bar is a perforated extruded aluminium profile with 25 mm hole pitch for insertion of the anti-tilt spring. The anti-tilt bar is supplied complete with plastic accessories and a top structure designed for cylinder or electronic lock closure.

ART.	Working H (mm) for drawer insertion
M 00 V030 00 00 00 00	300
M 00 V050 00 00 00 00	500
M 00 V060 00 00 00 00	600
M 00 V070 00 00 00 00	700
M 00 V075 00 00 00 00	750
M 00 V090 00 00 00 00	900

ART.	Working H (mm) for drawer insertion
M 00 V105 00 00 00 00	1050
M 00 V122 00 00 00 00	1225
M 00 V140 00 00 00 00	1400
M 00 V152 00 00 00 00	1525
M 00 V190 00 00 00 00	1900

### CYLINDER LOCK (KEY)



CYLINDER LOCK COMPLETE WITH:

- 1 cylinder lock with 2 keys
- 1 sheathed steel cable
- 1 front pin assembly
- 1 back pin assembly

ART.	
M 63 V000 C0 00 00 00	C0 CYLINDER LOCK WITH DIFFERENT NUMBERING
M 63 V000 C1 00 00 00	C1 CYLINDER LOCK FOR SETS OF 160 NUMBERS
M 63 V000 C2 00 00 00	C2 CYLINDER LOCK WITH SAME NUMBERING

**For Experts Only**



H 1325 mm Useful H 1225 mm		H 1500 mm Useful H 1400 mm		H 2000 mm Useful H 1900 mm	
<b>M 63 A132 X0 10 00</b> _ _		<b>M 63 A150 X0 10 00</b> _ _		<b>M 63 A200 X0 10 00</b> _ _	

**NUMERICAL CODE LOCK**



ART.	
<b>M 63 V000 E2 00 00 00</b>	<b>E2</b> BAR OPENING/CLOSING (battery power supply)
<b>M 63 V000 E5 00 00 00</b>	<b>E5</b> BAR OPENING/CLOSING (mains power supply)
<b>M 63 V000 T2 00 00 00</b>	<b>T2</b> DOOR + BAR OPENING/CLOSING (battery power supply)
<b>M 63 V000 T3 00 00 00</b>	<b>T3</b> DOOR + BAR OPENING/CLOSING (mains power supply)

**ART. REMOTE CONTROL**

<b>M 00 VRC0 00 00 00 00</b>	Receiver module with remote control
<b>M 00 VRC0 00 00 01 00</b>	Additional remote control



**SHELVES FOR LOCKS AND ADJUSTABLE SHELVES**

**TOP SHELF FOR LOCKS**



ART.		Front H mm	kg
<b>M 63 PS46 00 10 00</b> _ _		46	150

Dim. mm 1139x724x46 H

**BOTTOM SHELF FOR LOCKS**



ART.		Front H mm	kg
<b>M 63 PS46 10 10 00</b> _ _		46	150

Dim. mm 1139x724x46 H

**ADJUSTABLE SHELF**



ART.		Total H mm	kg
<b>M 63 PR25 00 00 01</b> _ _		60	150

Usable dim. mm 1133x631x25 H

**SLOTTED ADJUSTABLE SHELF**

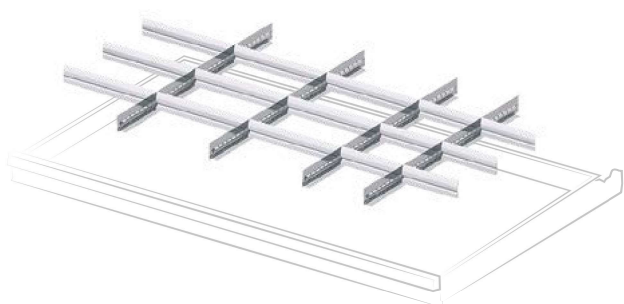


ART.		Front H mm	kg
<b>M 63 PR35 10 00 01</b> _ _		35	300

Dim. mm 1139x721x35 H

# 64x36 EH

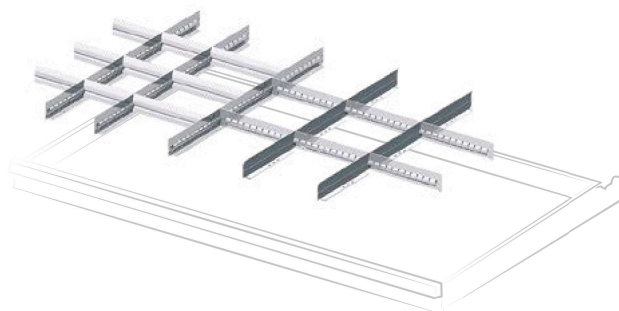
# PARTITIONING MATERIAL



ART. for front heights mm

<b>F FH 6007 02 00</b>	75
<b>F FH 6010 02 00</b>	100 – 125
<b>F FH 6015 02 00</b>	150
<b>F FH 6020 02 00</b>	200 – 250

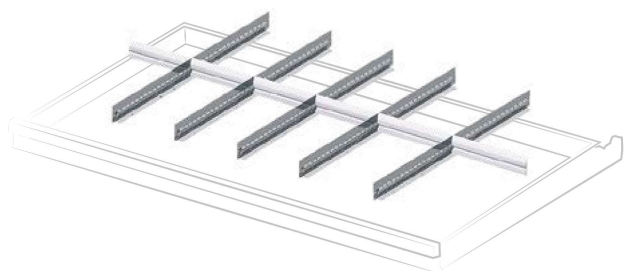
Set including: 4 slotted partitions 610 mm, 3 plain partitions 149 mm, 3 plain partitions 166 mm, 9 plain partitions 251 mm



ART. for front heights mm

<b>F FH 6007 05 00</b>	75
<b>F FH 6010 05 00</b>	100 – 125
<b>F FH 6015 05 00</b>	150

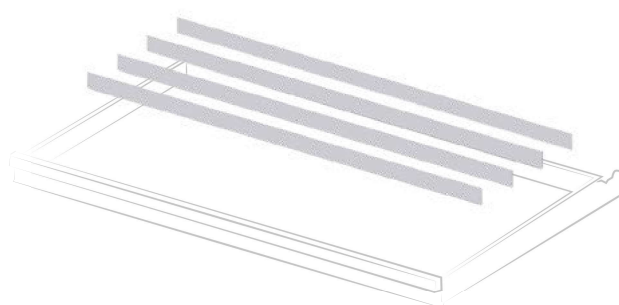
Set including: 5 slotted partitions 610 mm, 6 plain partitions 132 mm, 9 plain partitions 200 mm



ART. for front heights mm

<b>F FH 6007 08 00</b>	75
<b>F FH 6010 08 00</b>	100 – 125
<b>F FH 6015 08 00</b>	150
<b>F FH 6020 08 00</b>	200 – 250
<b>F FH 6030 08 00</b>	300

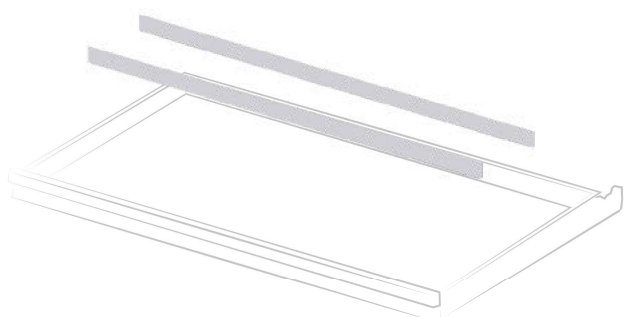
Set including: 5 slotted partitions 610 mm, 2 plain partitions 149 mm, 1 plain partition 166 mm, 3 plain partitions 200 mm



ART. for front heights mm

<b>F FH 6007 09 00</b>	75
<b>F FH 6010 09 00</b>	100 – 125
<b>F FH 6015 09 00</b>	150
<b>F FH 6020 09 00</b>	200 – 250
<b>F FH 6030 09 00</b>	300

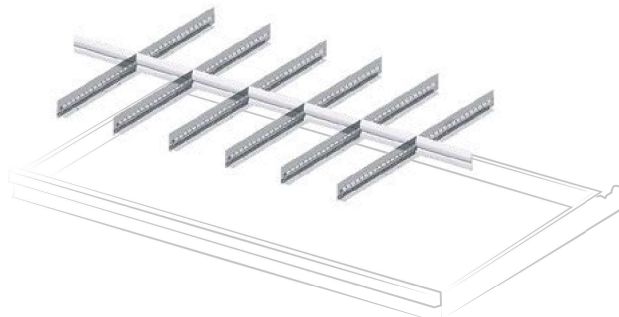
Set including: 4 plain partitions 1085 mm



ART. for front heights mm

<b>F FH 6007 10 00</b>	75
<b>F FH 6010 10 00</b>	100 – 125
<b>F FH 6015 10 00</b>	150
<b>F FH 6020 10 00</b>	200 – 250
<b>F FH 6030 10 00</b>	300

Set including: 2 plain partitions 1085 mm



ART. for front heights mm

<b>F FH 6007 11 00</b>	75
<b>F FH 6010 11 00</b>	100 – 125
<b>F FH 6015 11 00</b>	150
<b>F FH 6020 11 00</b>	200 – 250
<b>F FH 6030 11 00</b>	300

Set including: 6 slotted partitions 610 mm, 6 plain partitions 149 mm, 1 plain partition 166 mm