

## Thread Micrometer 40 Z

DIN  
863-3



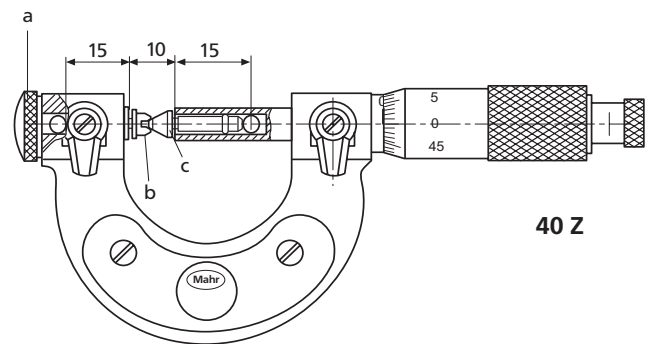
### Features

- For measuring pitch, root and outside diameters
- Rugged steel frame, heat insulated
- Spindle is hardened throughout, ground and is also provided with a locking device
- Adjustable anvil
- Both the spindle and anvil have a mounting bore for accommodating interchangeable anvils
- Flat end surface of the anvil shank rests on a hardened steel ball which is at the bottom of the mounting bore
- Scales have a satin-chrome finish

### Technical Data

Readings	0.01 mm
Mounting bores for anvils	3.5 mm
Spindle thread pitch	0.5 mm
Thimble dia.	17.5 mm
Accuracy	DIN 863

Measuring range mm	Error limit $G_{me}$	Order no.	Order no. wooden case
0 - 25*	4 $\mu\text{m}$	4170000	4170010
25 - 50	4 $\mu\text{m}$	4170001	4170011
50 - 75	5 $\mu\text{m}$	4170002	4170012
75 - 100	5 $\mu\text{m}$	4170003	4170013
100 - 125	6 $\mu\text{m}$	4170004	4170014
125 - 150	6 $\mu\text{m}$	4170005	4170015
150 - 175	7 $\mu\text{m}$	4170006	4170016
175 - 200	7 $\mu\text{m}$	4170007	4170017



a = Regulating range  $\pm 0.5$  mm  
b = V-anvil  
c = Tapered anvil

Indicating Thread Snap Gage 852 see page 9-18



\* Setting only with Thread Setting Plug Gages 715 E, when the interchangeable anvils span over several leads

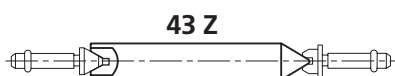


Ball anvils see Page 9-23

### Accessories

#### Setting Standards 43 Z

For setting Thread Micrometers 40 Z. With point on one side and a V-groove on the other, both match the pitch angle of thread to be inspected. One setting standard is sufficient for two adjacent frame sizes.



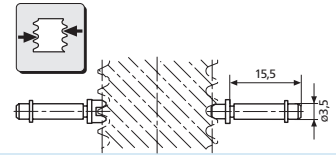
Length mm	Accuracy $\pm \mu\text{m}$	Thread angle 60° Order no.	Thread angle 55° Order no.
25	4	4175000	4175100
50	4.5	4175001	4175101
75	4.5	4175002	4175102
100	4.5	4175003	4175103
125	5	4175004	4175104
150	5	4175005	4175105
175	5	4175006	4175106
200	5.5	4175630	4175636

## Interchangeable Anvils for Thread Micrometer 40 Z

For pitch, root and outside diameters. Hardened, wear-resistant special steel. With cylindrical mounting shank and retainer ring which ensures locking while permitting rotation in bore of spindle and anvil.

### For pitch diameters

Set consists of V-anvil and tapered anvil. For pitch range 0.2 - 0.45 mm V-anvil covers 3 thread leads. Therefore setting with Thread Setting Plug Gages 715 E, as opposed to Setting Standards 43 Z for other applications.



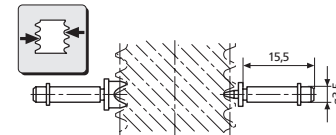
Pitch mm	Metric thread (60°)		Pitch range TPI	Whitworth thread (55°)		Pitch range TPI	American UST thread (60°)	
	V-anvil Order no.	Tapered anvil Order no.		V-anvil Order no.	Tapered anvil Order no.		V-anvil Order no.	Tapered anvil Order no.
0.2	4173007	4173407	40 - 32	4173043	4173443	60 - 48	4173113	4173513
0.25	4173008	4173408	32 - 24	4173044	4173444	48 - 40	4173114	4173514
0.3	4173009	4173409	24 - 18	4173045	4173445	40 - 32	4173115	4173515
0.35	4173010	4173410	18 - 14	4173046	4173446	32 - 24	4173116	4173516
0.4	4173011	4173411	14 - 10	4173047	4173447	24 - 18	4173117	4173517
0.45	4173012	4173412	10 - 7	4173048	4173448	18 - 14	4173118	4173518
0.5 - 0.7	4173000	4173400	7 - 4.5	4173049	4173449	14 - 10	4173119	4173519
0.7 - 1	4173001	4173401	4.5 - 3	4173050	4173450	10 - 7	4173120	4173520
1.25 - 2	4173002	4173402	3 - 2.5	4179408	4179409	7 - 4.5	4173121	4173521
2 - 3.5	4173003	4173403				4.5 - 3	4173122	4173522
3.5 - 5	4173004	4173404						
5 - 7	4173005	4173405						
7 - 9	4173006	4173406						

### For pitch diameters

Set consists of V-anvil and tapered anvil. Shank length 15.5 mm

### For root diameters

Set consists of V-anvil and pointed anvil. Each pitch requires a separate V-anvil. Pointed anvil can be used for several pitches.



Pitch mm	Trapezoid threads		Pitch mm	Metric thread (60°)		Pitch range TPI	Whitworth thread (55°) American UST thread (60°)	
	V-anvil Order no.	Tapered anvil Order no.		V-anvil Order no.	Tapered anvil Order no.		V-anvil Order no.	Tapered anvil Order no.
1	4173250	4173650	0.5	4173213	4173220	40	4173331	4173334
1.5	4173251	4173651	0.6	4173214		36	4173321	
2	4173252	4173652	0.7	4173215		32	4173332	
3	4173253	4173653	0.75	4173216		28	4173333	
4	4173254	4173654	0.8	4173217		26	4173335	
5	4173255	4173655	0.9	4173218		24	4173336	
6	4173256	4173656	1	4173219		22	4173337	
7	4173257	4173657	1.25	4173221		20	4173338	
8	4173258	4173658	1.5	4173222		19	4173339	
9	4173259	4173659	1.75	4173223		18	4173340	
10	4173260	4173660	2	4173225	16	4173342	4173344	
			2.5	4173226	14	4173343	4173348	
			3	4173227	12	4173345		
			3.5	4173229	11	4173346	4173452	
			4	4173230	10	4173347		
			4.5	4173231	9	4173349	4173456	
			5	4173233	8	4173350		
			5.5	4173234	7	4173451	4173461	
			6	4173235	6	4173453		
			7	4173237	5	4173454	4173458	
			8	4173238	4.5	4173455		
			9	4173239	4	4173457	4173459	
					3.5	4173458		
					3.25	4173459	4173460	
					3	4173460		

### For outside diameter

**Pair of Flat Anvils 40 Za**  
with flat measuring faces

Made of hardened steel  
**Order no. 4173210**  
 Carbide tipped  
**Order no. 4511190**

