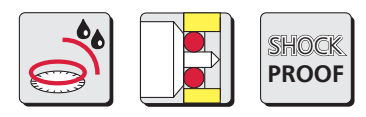
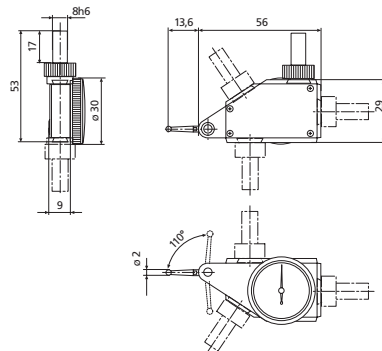


MarTest styli can positioned horizontally to the dial face



DIN 2270

800 H



Technical Data

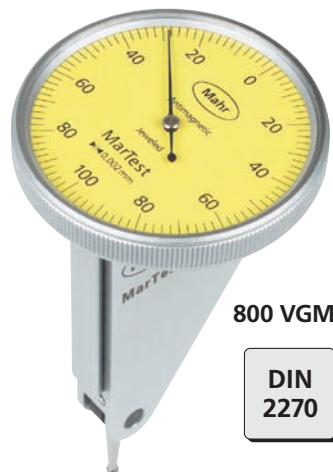
	Measuring range	Readings	Dial dia.	Measuring force	Length of styli	Order no.	Order no. with kit
800 H	± 0.4 mm	0.01 mm	27.5 mm	0.25 N	14.5 mm	4303200	2015328
801 H	± .015"	.0005"	1.1"	0.25 N	14.5 mm	4303950	2015324

Supplied with:
 Plastic storage case, spanner for changing the styli, styli dia. 2 mm, mounting shaft 800 a8 (for metric versions), mounting shaft 800 a3/8 (for inch versions)

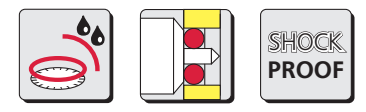
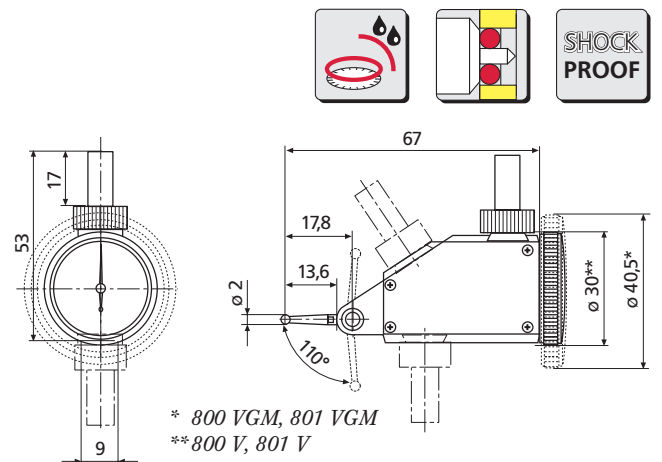
MarTest vertical model



800 V
DIN 2270



800 VGM
DIN 2270



Technical Data

	Measuring range	Readings	Dial dia.	Measuring force	Length of styli	Order no.	Order no. with kit
800 V	± 0.4 mm	0.01 mm	27.5 mm	0.2 N	14.5 mm	4302200	2015327
800 VGM	± 0.1 mm	0.002 mm	38 mm	0.25 N	14.5 mm	4302250	2015347
801 V	± .015"	.0005"	1.1"	0.2 N	14.5 mm	4302950	2015325
801 VGM	± .004"	.0001"	1.5"	0.25 N	14.5 mm	4302960	2015326

Supplied with:
 Plastic storage case, spanner for changing the styli, styli dia. 2 mm, mounting shaft 800 a8 (for metric versions), mounting shaft 800 a3/8 (for inch versions)