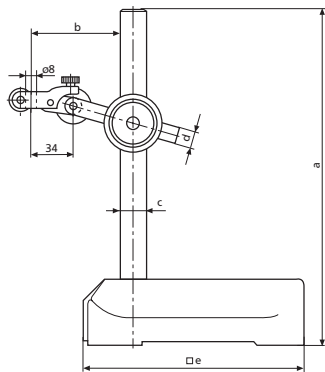


## Indicator Stand 815 GN



### Features

- Rugged base ensures both maximum stability and sturdiness
- The upper side of the base has a convenient hand grip
- Moves easily over surfaces without vibration
- Front of the base is ground to allow movement of the stand along edges and rules
- Stable due to the three point support
- Support arm can be fine adjusted
- Post and support arm are made from stainless steel
- Indicator can be rotated through  $\pm 90^\circ$

Total height with base a	Max. projection of support arm b	Post dia.		Base surface e	Fine adjustment range	Weight	Order no.* Mount dia. 8H7	Order no.* Mount dia. 3/8 inch
		c	d					
mm / inch	mm	mm	mm	mm	mm	kg		
300 / 12"	185	18	14	150 x 150	2	4.2	<b>4413000</b>	<b>4413050</b>
500 / 20"	200	25	18	190 x 180	2	9	<b>4413001</b>	<b>4413051</b>
750 / 30"	230	35	25	190 x 180	2	10	<b>4413005</b>	<b>4413052</b>

\* excludes indicating instrument